

SELECT DESIRED LENGTH:

12ft

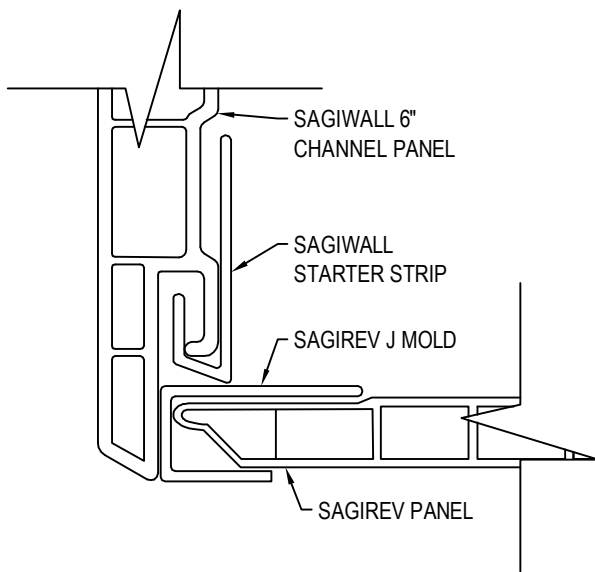
19ft

SELECT DESIRED FINISH:

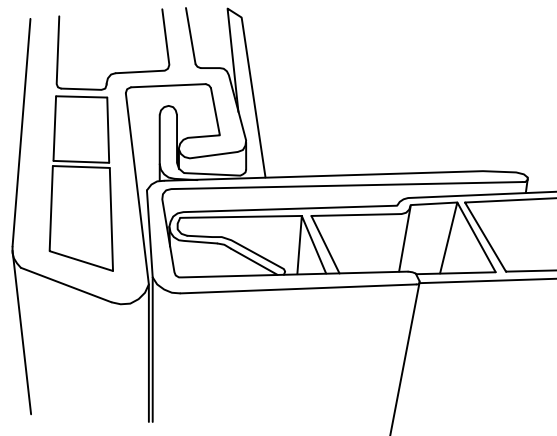
PLEASE SPECIFY: \_\_\_\_\_

LIST OF FINISHES AVAILABLE AT

<http://sagipernorthamerica.com/product/sagiwall/>



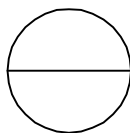
SIDING TO SOFFIT APPLICATION PROFILE



SIDING TO SOFFIT APPLICATION PERSPECTIVE

NOTES:

1. INSTALLATION TO BE COMPLETED IN ACCORDANCE WITH MANUFACTURER'S SPECIFICATIONS.
2. DO NOT SCALE DRAWING.
3. THIS DRAWING IS INTENDED FOR USE BY ARCHITECTS, ENGINEERS, CONTRACTORS, CONSULTANTS AND DESIGN PROFESSIONALS FOR PLANNING PURPOSES ONLY. THIS DRAWING MAY NOT BE USED FOR CONSTRUCTION.
4. ALL INFORMATION CONTAINED HEREIN WAS CURRENT AT THE TIME OF DEVELOPMENT BUT MUST BE REVIEWED AND APPROVED BY THE PRODUCT MANUFACTURER TO BE CONSIDERED ACCURATE.
5. CONTRACTOR'S NOTE: FOR PRODUCT AND COMPANY INFORMATION VISIT [www.CADdetails.com/info](http://www.CADdetails.com/info) AND ENTER REFERENCE NUMBER 5084-012.



**SAGIWALL**

SIDING TO SOFFIT APPLICATION